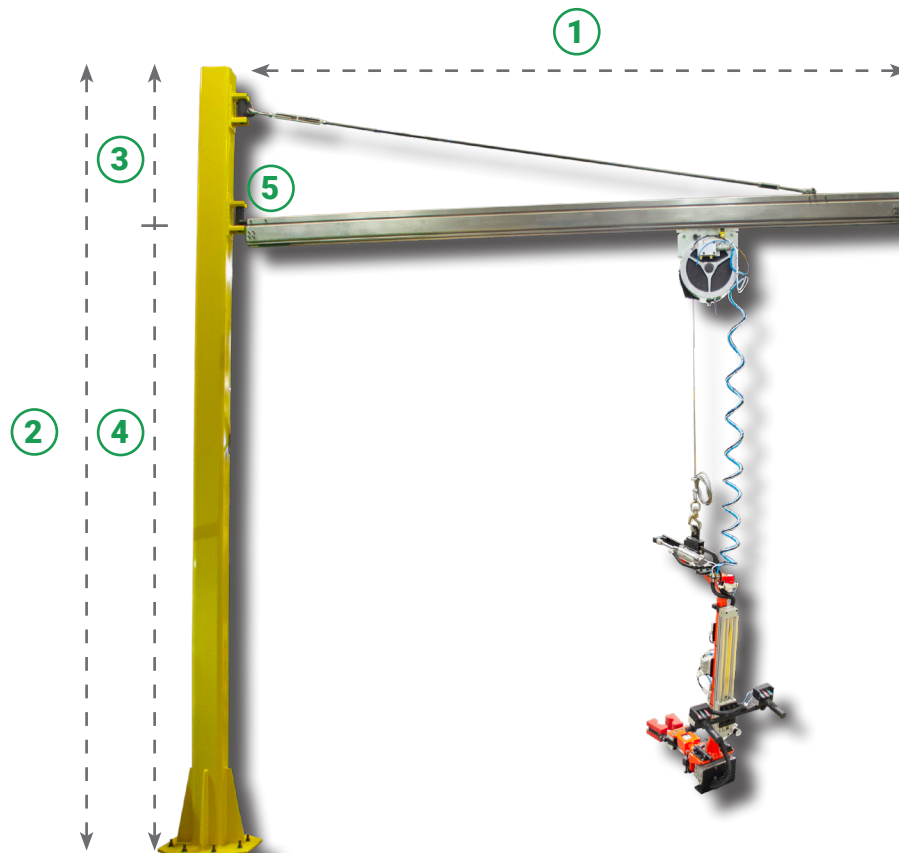
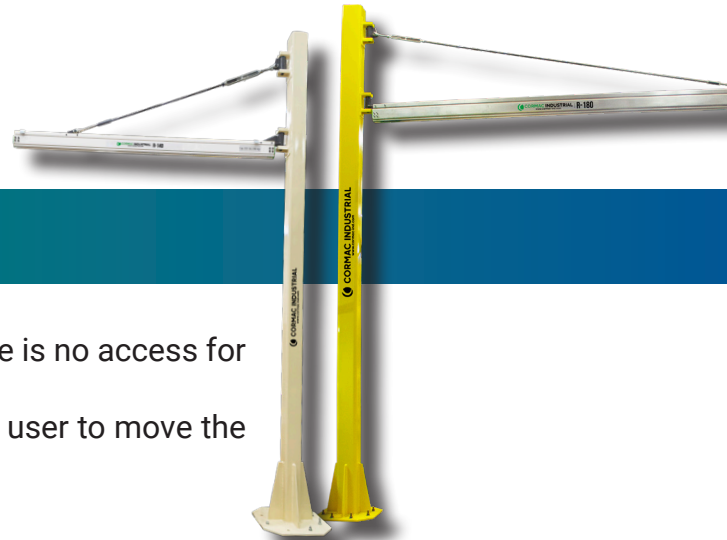


JIB ARM

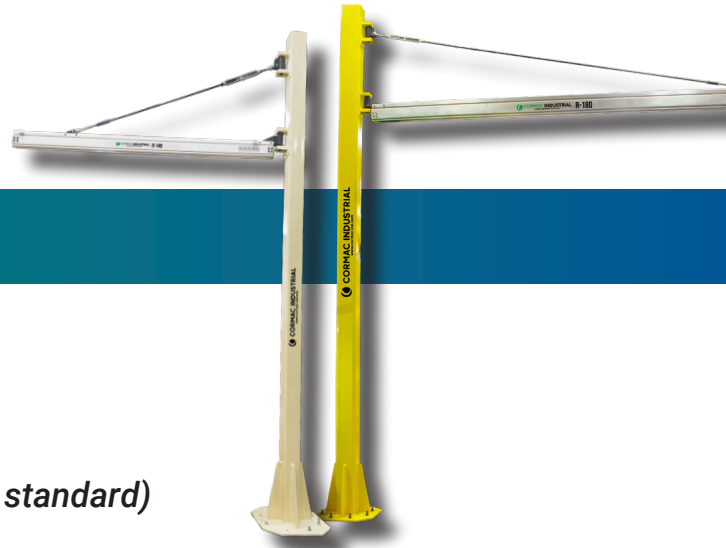
It is specifically designed to cover small areas where there is no access for the integration of a rail system. It has an ergonomic aluminum rail, making it easy for the user to move the load effortlessly.

Characteristics

1. **Total length/radial coverage:** 4 to 20 ft.
2. **Total height:** 16 ft.
3. **Standard turning height:** 4.0 ft.
4. **Working area height:** 12 ft.
5. **Swivel:** 200°.

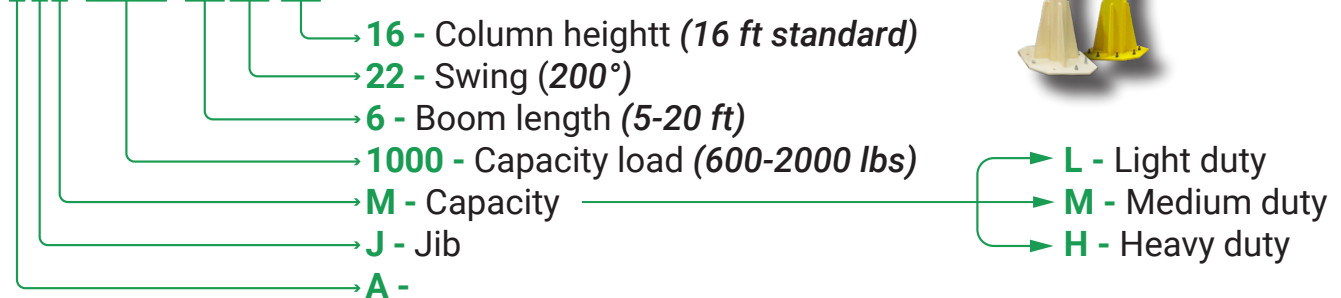


JIB ARM



Models according to your requirement

AJX-XXXX-XX20-16



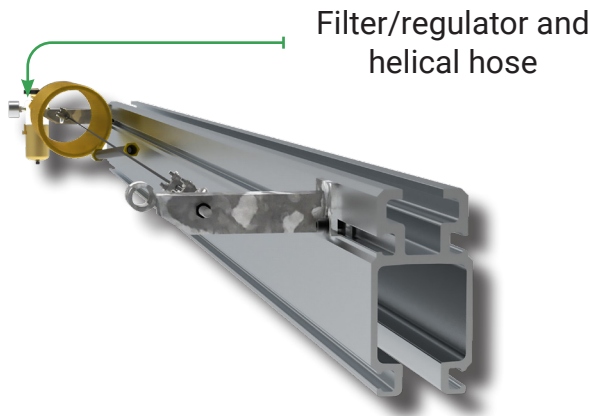
Ej. **AJM-1000-620-16**

ACCESORIO

Air supply (optional)

It is available in 3/8" and 1/2" diameter hose and in a length of 20 ft.

Kit: Filter regulator, shut-off valve, helical hose assembly, straight hose assembly, hose connections, steel cable, closed armella, air bracket assembly and fixing clamp.



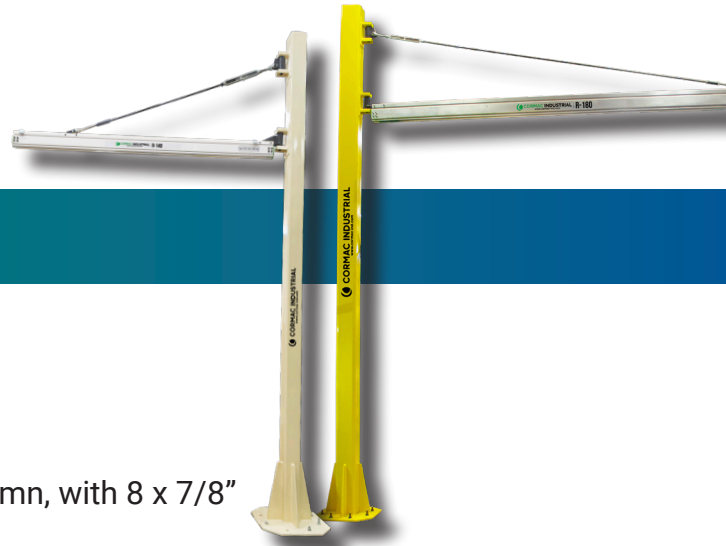
AIR SUPPLY

Rail	Diameter	Extent	Max. coverage	Cable length	Part #
140	3/8"	25 ft	14 ft	A + 2 ft	ASR3810
		50 ft	25 ft		ASR3820
180	1/2"	25 ft	12 ft		ASR1210
		50 ft	20 ft		ASR1220

Air intake tube (Optional). Galvanized tube of 1/2" in diameter with a length of 4 Ft, painted in light blue according to color code.

AIR

Extent	Part #
3/8"	AIR3808
1/2"	AIR1201



JIB ARM

DIMENSIONS

R-140 (Jib arm light)

Standard 6" x 6" x 1/4" motherboard 3/4" x 18" x 18" column, with 8 x 7/8" holes for fastening.

Note: Anchors not included.

R-180 (Jib arm medium)

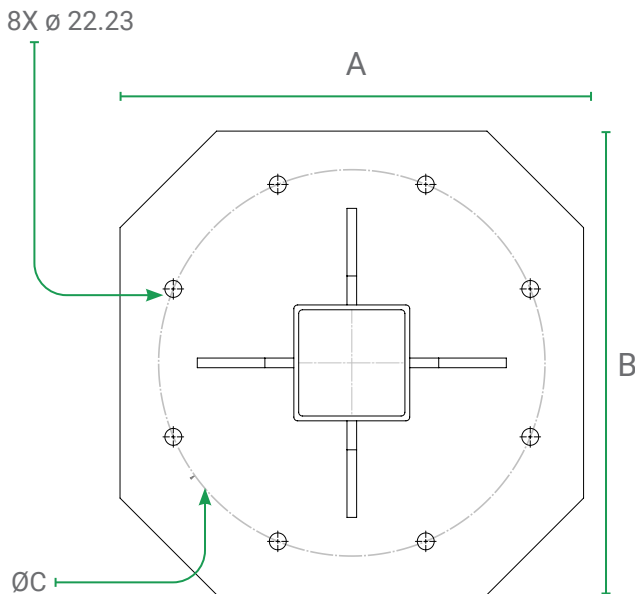
Standard 6" x 6" x 3/8" motherboard 3/4" x 24" x 24" column, with 8 x 7/8" holes for fastening.

Note: Anchors not included.

R-180 (Jib arm heavy)

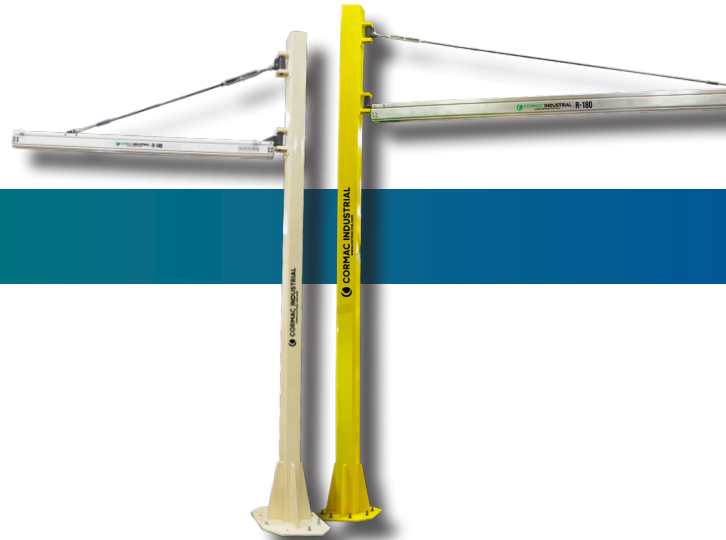
Standard 8" x 8" x 1/2" motherboard 3/4" x 24" x 24" column, with 8 x 7/8" holes for fastening.

Note: Anchors not included.

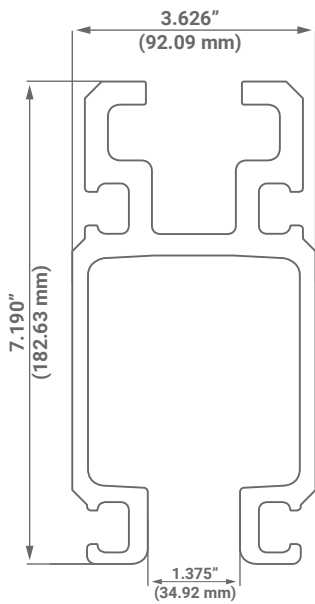


	A	B	C
Light	18in (457.2mm)	18in (457.2mm)	16in (406.4mm)
Medium	24in (609.6mm)	24in (609.6mm)	20in (508.1mm)
Heavy	24in (609.6mm)	24in (609.6mm)	20in (508.1mm)

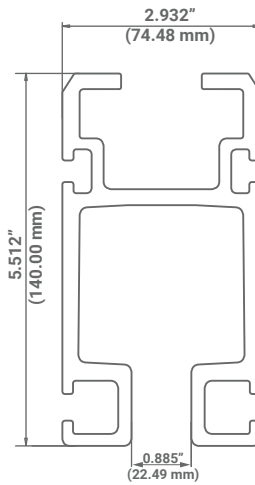
For applications not covered in this sheet please consult directly **Cormac Industrial**®



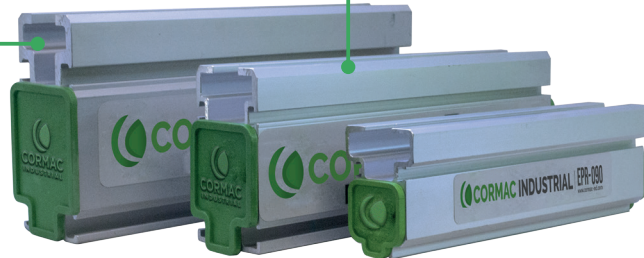
JIB ARM



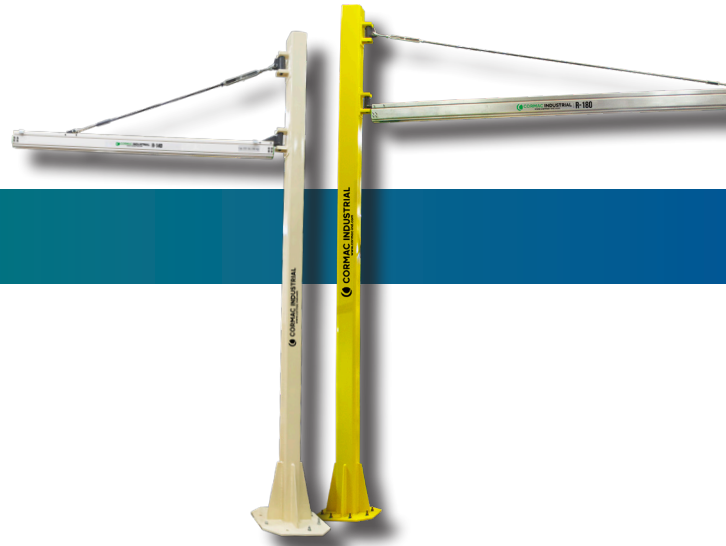
R-180 Rail
Heavy, Cap. Max. 2000 lbs. (950 kg)



R-140 Rail
Medium, Cap. Max. 1400 lbs. (640 kg)



JIB ARM



CAPACITIES

R-140 BOOM TYPE 220° ROTATION JIB ARM LIGHT			
MODE	CAPACITY	RAIL	LENGTHD
AJL0900-04-22-16	900 Lbs	RA 140	4 FT
AJL0610-06-22-16	610 Lbs	RA 140	6 FT
AJL0460-08-22-16	460 Lbs	RA 140	8 FT
AJL0370-10-22-16	370 Lbs	RA 140	10 FT
AJL0300-12-22-16	300 Lbs	RA 140	12 FT
AJL0260-14-22-16	260 Lbs	RA 140	14 FT
AJL0230-16-22-16	230 Lbs	RA 140	16 FT
AJL0200-18-22-16	200 Lbs	RA 140	18 FT
AJL0160-20-22-16	160 Lbs	RA 140	20 FT

R-180 BOOM TYPE 220° ROTATION JIB ARM HEAVY			
MODE	CAPACITY	RAIL	LENGTHD
AJH2000-04-22-16	2000 Lbs	RA 180	4 FT
AJH2000-06-22-16	2000 Lbs	RA 180	6 FT
AJH2000-08-22-16	2000 Lbs	RA 180	8 FT
AJH1600-10-22-16	1600 Lbs	RA 180	10 FT
AJH1350-12-22-16	1350 Lbs	RA 180	12 FT
AJH1150-14-22-16	1150 Lbs	RA 180	14 FT
AJH1100-16-22-16	1100 Lbs	RA 180	16 FT
AJH0800-18-22-16	800 Lbs	RA 180	18 FT
AJH650-20-22-16	650 Lbs	RA 180	20 FT

R-140 BOOM TYPE 220° ROTATION JIB ARM MEDIUM			
MODE	CAPACITY	RAIL	LENGTHD
AJM2000-04-22-16	2000 Lbs	RA 180	4 FT
AJM1400-06-22-16	1400 Lbs	RA 180	6 FT
AJM1050-08-22-16	1050 Lbs	RA 180	8 FT
AJM0800-10-22-16	800 Lbs	RA 180	10 FT
AJM0700-12-22-16	700 Lbs	RA 180	12 FT
AJM600-14-22-16	600 Lbs	RA 180	14 FT
AJM0500-16-22-16	500 Lbs	RA 180	16 FT
AJM0450-18-22-16	450 Lbs	RA 180	18 FT
AJM0400-20-22-16	400 Lbs	RA 180	20 FT

R-180 BOOM TYPE 220° ROTATION JIB ARM			
MODE	CAPACITY	RAIL	LENGTHD
AJ0820-04-36-16	820 Lbs	RA 180	4 FT
AJM0550-06-36-16	550 Lbs	RA 180	6 FT
AJM0410-08-36-16	410 Lbs	RA 180	8 FT
AJM0330-10-36-16	330 Lbs	RA 180	10 FT
AJM0270-12-36-16	270 Lbs	RA 180	12 FT
AJM230-14-36-16	230 Lbs	RA 180	14 FT
AJM0200-16-36-16	200 Lbs	RA 180	16 FT
AJM0180-18-36-16	180 Lbs	RA 180	18 FT
AJM0160-20-36-16	160 Lbs	RA 180	20 FT