



Providing Lift Assist Solutions for Over 30 Years

PNEUMATIC TABLE

ERGONOMIC SOLUTIONS



Do not lift more... Care your back! Using our ergonomic

- * lift tables
- * Scissors and pneumatics lift tables
- * Not need hydraulic oil or electricity
- * Low maintenance!
- * **5 YEARS WARRANTY**



www.cormac-ind.com



SOLUTIONS

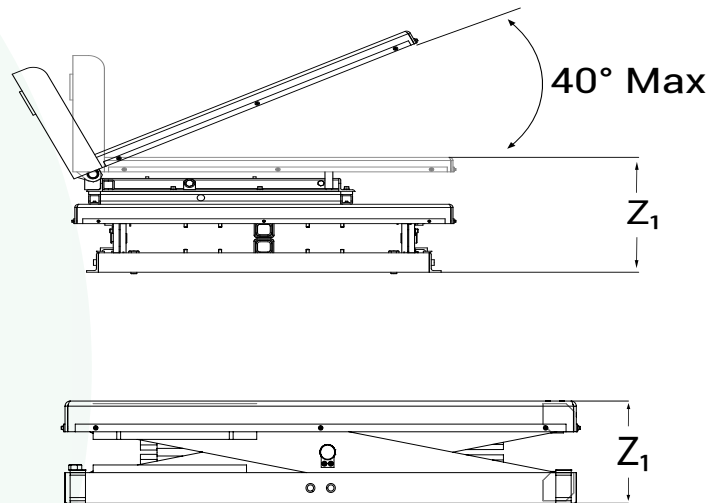
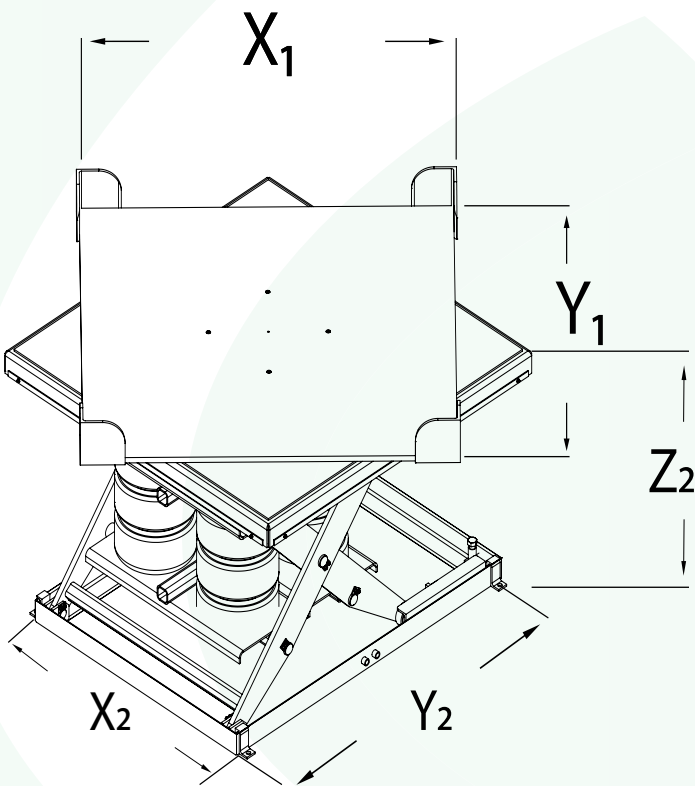
Ergonomic lift tables maximize worker and machine productivity by positioning work at an ergonomic height.

By eliminating lifting, bending or reaching, these lift tables reduce the risk of back and other work-related injuries.

This results in greater quality and productivity as well as lower manufacturing costs and maintenance requirements.

CORMAC INDUSTRIAL® offers a complete line of scissor lift tables with optional tilt and rotate platform. The scissors and all elements are designed rough use, constructed of steel plate and precision machined for uniform operation

We have been manufacturing lift tables since 1999. The standard capacities of lift tables range from 1,000 up to 6,000 lbs.



Lift Table Model #	Nominal capacity	Closed (Z ₁)	Extended (Z ₂)	Base size (X ₂ X _Y ₂)	Platform size (X ₁ x Y ₁)
LE33850A	3000 lbs	10"	34"	38" x 50"	38" x 50"
LE34860A	3000 lbs	10"	34"	38" x 50"	48" x 60"
LE63850A	6000 lbs	10"	34"	38" x 50"	38" x 50"
LE64860A	6000 lbs	10"	34"	38" x 50"	48" x 60"
LE34262B	3000 lbs	11"	45"	42" X 62"	42" X 62"
LE35684B	3000 lbs	11"	45"	42" X 62"	56" x 84"
LE64262B	6000 lbs	11"	40"	42" X 62"	42" X 62"
LE55684B	5000 lbs	11"	40"	42" X 62"	56" x 84"
LE65050A	6000 lbs	10"	34"	38" x 50"	50" X 50"
LE35050A	3000 lbs	10"	34"	38" x 50"	50" X 50"

Turn table Model	Nominal capacity	(Z ₁) Ref.	Rotation	Turn table size (X ₁ x Y ₁) Ref.
RB43850X	4000 lbs	3.5"	360°	38" x 50"
RB44860X	4000 lbs	3.5"	360°	48" x 60"
RB44262X	4000 lbs	3.5"	360°	42" X 62"
RB45050X	4000 lbs	3.5"	360°	50" X 50"

Lift & Turn table	Nominal capacity	(Z ₁) Ref.	Extended (Z ₂)	Rotation	Table Reference	Platform size of Turn table (X ₁ x Y ₁) Ref.
RL43850A	4000 lbs	13.5"	37.5"	360°	LE63850A	38" x 50"
RL44860A	4000 lbs	13.5"	37.5"	360°	LE64860A	48" x 60"
RL44262B	4000 lbs	14.5"	48.5"	360°	LE64262B	42" X 62"
RL45050A	4000 lbs	13.5"	37.5"	360°	LE55050A	50" X 50"



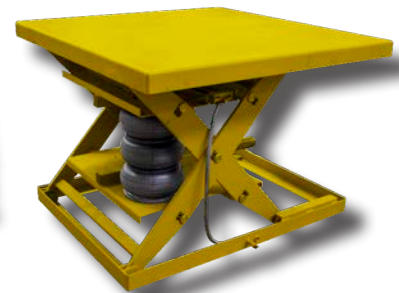
Rotary table



Lift & tilt table



Tilt table



Lift table

Tilt Table model	Nominal capacity	(Z ₁) Ref.	Tilt (Degrees)	Platform size of Tilt table (X1 x Y1) ref.
TE33850X	3000 lbs	5"	0° - 40°	38" x 50"
TE34860X	3000 lbs	5"	0° - 40°	48" x 60"
TE63850X	6000 lbs	5"	0° - 40°	38" x 50"
TE44860X	4000 lbs	5"	0° - 40°	48" x 60"
TE15684X	1000 lbs	5"	0° - 40°	56" X 84"
TE25684X	2000 lbs	5"	0° - 40°	56" X 84"
TE65050X	6000 lbs	5"	0° - 40°	50" X 50"
TE35050X	3000 lbs	5"	0° - 40°	50" X 50"

Lift & Tilt Table model	Nominal capacity	(Z ₁) Ref.	Extended (Z ₂)	Tilt (Degrees)	Table Reference	Platform size of Tilt table (X1 x Y1) ref.
TL33850A	3000 lbs	15"	40"	0° - 40°	LE33850A	38" x 50"
TL34860A	3000 lbs	15"	40"	0° - 40°	LE34860A	48" x 60"
TL63850A	6000 lbs	15"	40"	0° - 40°	LE63850A	38" x 50"
TL44860A	4000 lbs	15"	40"	0° - 40°	LE64860A	48" x 60"
TL 156848	1000 lbs	15"	40"	0° - 40°	LE35684B	56" X 84"
TL25684B	2000 lbs	15"	40"	0° - 40°	LE35684B	56" X 84"
TL65050A	6000 lbs	15"	40"	0° - 40°	LE65050A	50" X 50"
TL35050A	3000 lbs	15"	40"	0° - 40°	LE35050A	50" X 50"

Cormac Industrial® LLC (Texas) and its wholly owned Mexico subsidiary CormacInd, S de RL de CV, has designed, manufactured and installed nearly a thousand manipulator systems over the last 30 years with almost 90% of them delivered to Automotive and Transportation Industries in Mexico. Our design and manufacturing facilities are located in San Juan del Río, Queretaro. We manufacture our own enclosed aluminum rails systems under our Cormac trademarked brand. We extrude our aluminum rails in both Texas and Mexico and maintain inventories in both locations. Our technology is tried and proven.

Cormac Industrial® offers, very competitive pricing. We have distributors throughout Mexico, Columbia and in San Antonio Texas. We have developed a complete line of standard Material Handling products that are easily configured to your application: Aluminum Rail Systems (Leaders in Mexico) 3 families, R-90 Tool Rail, R-140 Medium Duty, R-180 Heavy Duty, Air Balancers & Zero Gravity Air Balancers, Custom Manipulators and standard manipulator components, Articulating Arms, Jib Arms, Pneumatic scissor Lift Tables & Lift Platforms.

CORMACIND, S. DE R.L. DE C.V.

Av. Benito Juárez 72, San Pedro Ahuacatlán C.P. 76810 San Juan del Río, Querétaro, México

www.cormac-ind.com

Tel: 55 8000 6540 / 55 8000 6536 / ventas@cormac-ind.com